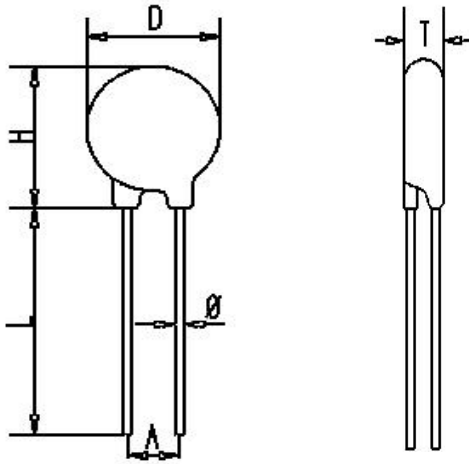


Structure(Unit:mm)


Item	Varistor Voltage	
	18-270V	300-680V
Dmax	8.00	9.00
$\phi\pm 0.02$	0.58	0.58
Tmax	5.00	7.00
Hmax	11.00	12.00
Lmim	25.00	25.00
A ₊ 1.0	5.00	5.00

Electrical Specifications

Part No.	Varistor Voltage	Maximum Allowable Voltage		Maximum Clamping Voltage	Withstanding Surge Current		Energy	Rated Dissipation	Typical Capacitance (1kHz)
		AC	DC	V _c	1times	2times			
		V1mA (V)	(V)	(V)	10A	(A)	(A)	2ms (J)	W
MYG7D180L	15.3-20.7	11	14	*38	250	125	0.8	0.02	3500
MYG7D220L	18.7-25.3	14	18	*43	250	125	0.9	0.02	2800
MYG7D270K	24-30	17	22	*53	250	125	1.0	0.02	2200
MYG7D330K	30-36	20	26	*65	250	125	1.2	0.02	1800
MYG7D390K	35-43	25	31	*77	250	125	1.5	0.02	1450
MYG7D470K	42-52	30	38	*93	250	125	1.8	0.02	1150
MYG7D560K	50-62	35	45	*110	250	125	2.2	0.02	1050
MYG7D680K	61-75	40	56	*135	250	125	2.5	0.02	970
MYG7D820K	74-90	50	65	135	1200	600	3.6	0.25	930
MYG7D101K	90-110	60	85	165	1200	600	4.0	0.25	860
MYG7D121K	108-132	75	100	200	1200	600	5.0	0.25	670
MYG7D151K	135-165	95	125	250	1200	600	6.0	0.25	490
MYG7D181K	162-198	115	150	300	1200	600	8.5	0.25	330
MYG7D201K	180-220	130	170	340	1200	600	10.0	0.25	240

MYG7D221K	198-242	140	180	360	1200	600	10.0	0.25	190
MYG7D241K	216-264	150	200	395	1200	600	10.0	0.25	165
MYG7D271K	243-297	175	225	455	1200	600	12.0	0.25	150
MYG7D301K	270-330	195	250	505	1200	600	14.0	0.25	135
MYG7D331K	297-363	210	275	550	1200	600	14.0	0.25	130
MYG7D361K	324-396	230	300	595	1200	600	15.0	0.25	125
MYG7D391K	351-429	250	320	650	1200	600	17.0	0.25	105
MYG7D431K	387-473	275	350	710	1200	600	20.0	0.25	100
MYG7D471K	423-517	300	385	775	1200	600	20.0	0.25	90
MYG7D511K	459-561	320	418	842	1200	600	22.0	0.25	80
MYG7D561K	504-616	350	460	920	1200	600	25.0	0.25	75
MYG7D621K	558-682	385	505	1025	1200	600	30.0	0.25	70
MYG7D681K	612-748	420	560	1120	1200	600	30.0	0.25	65
MYG7D751K	675-825	460	615	1240	1200	600	32.0	0.25	61
MYG7D781K	702-858	485	640	1290	1200	600	32.0	0.25	54
MYG7D821K	738-902	510	670	1355	1200	600	35.0	0.25	48

*The clamping voltage from 180L to 680K is tested with current 2.5A.

CONTACT INFORMATION

Shanghai Ecube-Tech Electronics Technology Co., Ltd.

上海赫品电子科技有限公司

Email: Marketing@ecube-tech.com

Tel:+86 21 50723288

Fax:400 8892 163 Ext. 324988

Address: No.245, Jinan Road, Huangpu Area, Shanghai, 200021, China

Website: www.ecube-tech.com